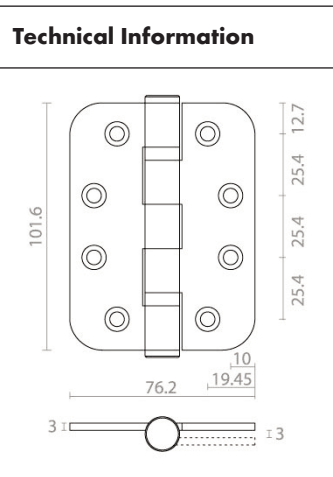


STAINLESS STEEL BEARING BUTT HINGE



**CE and CERTIFIRE APPROVED
GRADE 13**



- 2 Ball Bearing Hinge
- EN 1935: 2002
- Classification Code: 4-7-6-1-1-4-0-13
- CE 1121 CPD AC0145
- Round edge
- Complete with screws

Classification Code 4-7-6-1-1-4-0-13

- Heavy Duty Hinge
- Tested to 200,000 cycles
- 120 kg test door
- Successfully included in a fire test
- Safe in use
- Very high corrosion resistance
- Not suitable for burglar resistant door assemblies
- Hinge grade 13

Art. No.	Finish	Size mm	Thickness mm	P/Qty.
688 313 621	Brushed Stainless Steel	102 x 76	3	2

